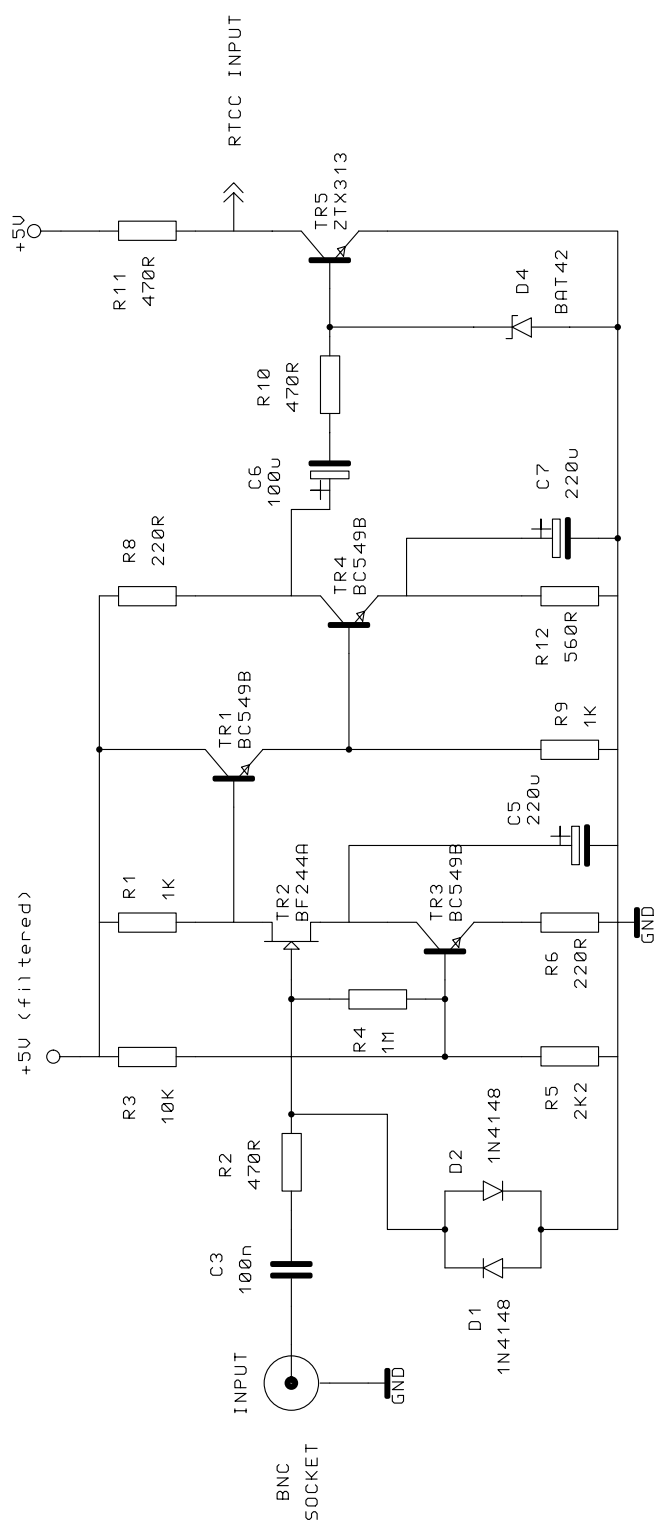
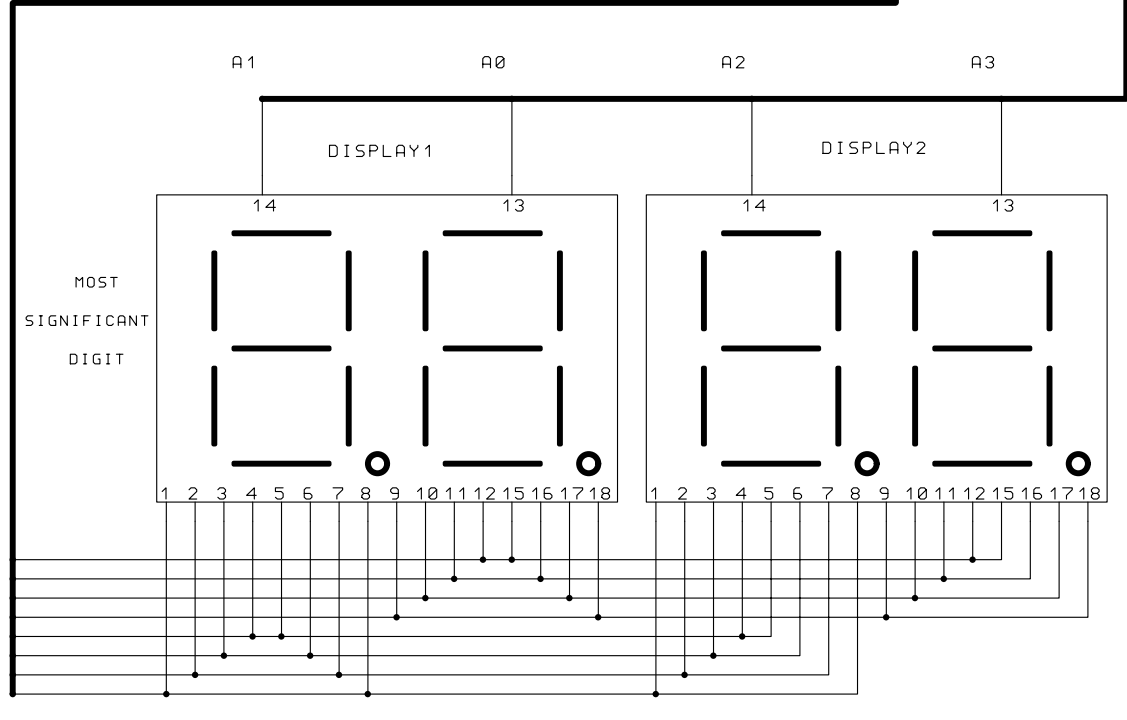
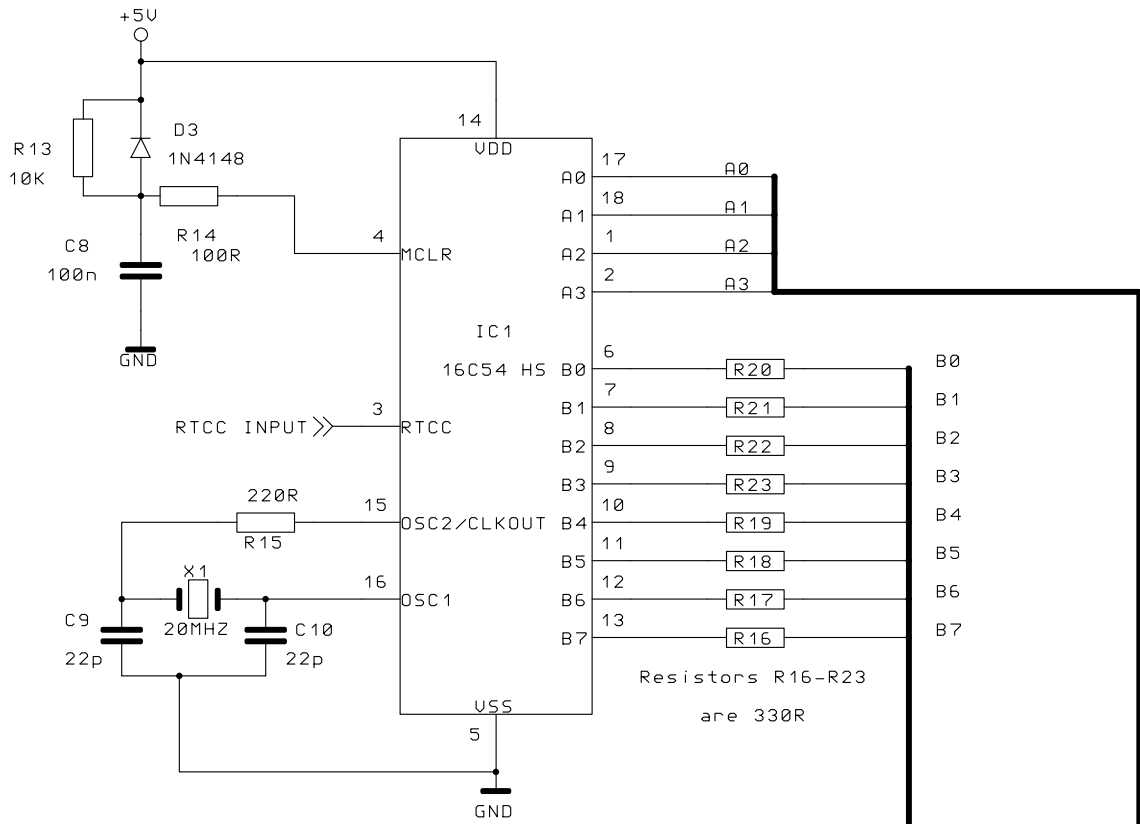


Input Amplifier



PIC Processor and Display



Power Supply

